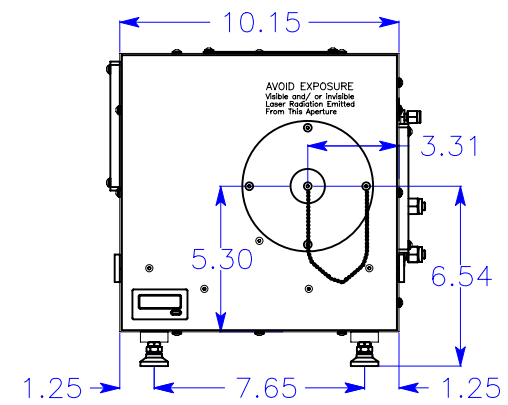
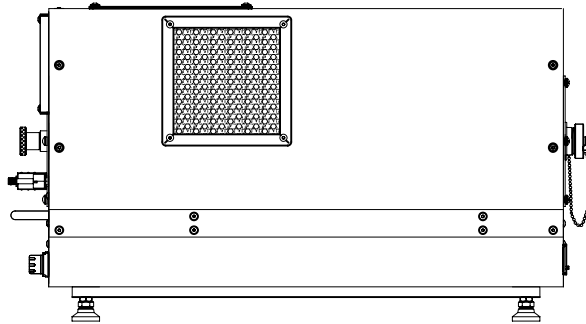
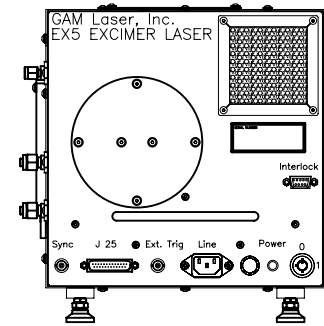
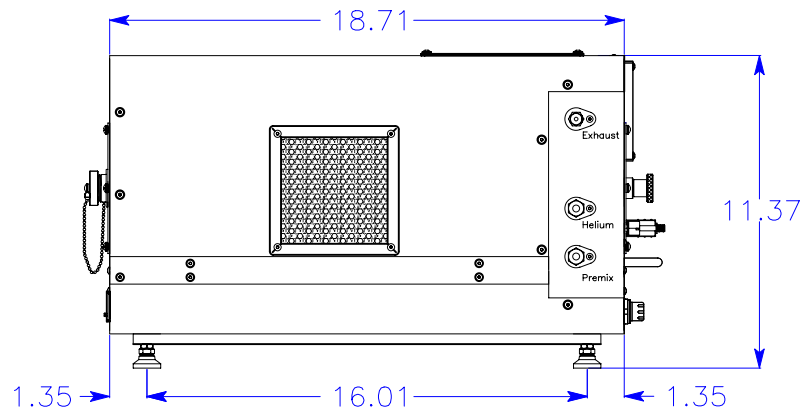
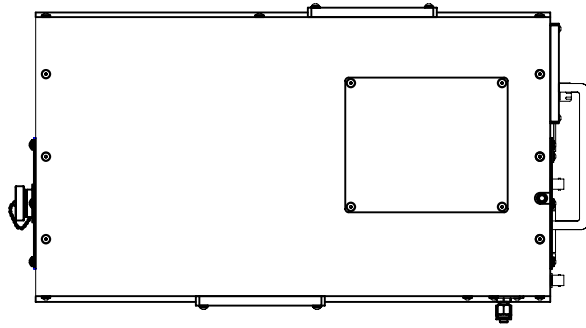


									07/13/09
REV.	ECO#	DISCRIPTION	BY	CHK.	APP.	APP.	DATE		
SUMMARY OF CHANGES FROM PREVIOUS REVISION:									



GAM LASER INC
ORLANDO, FLORIDA

TITLE:
EX5-VIEW

REV# 1