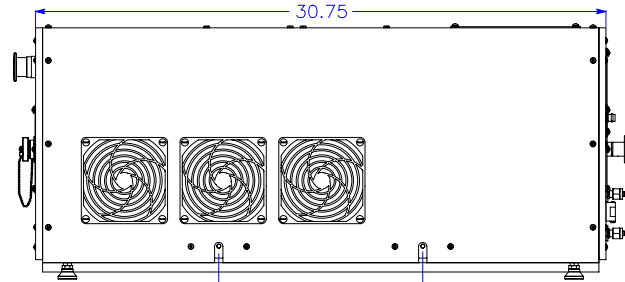
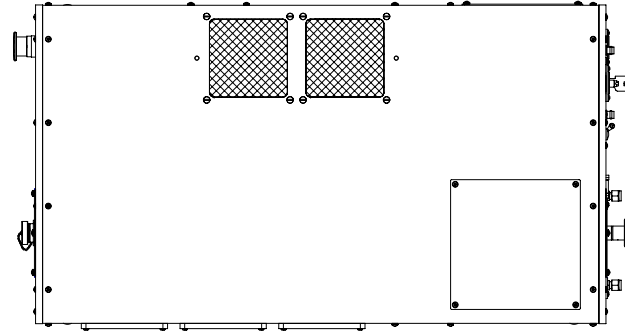
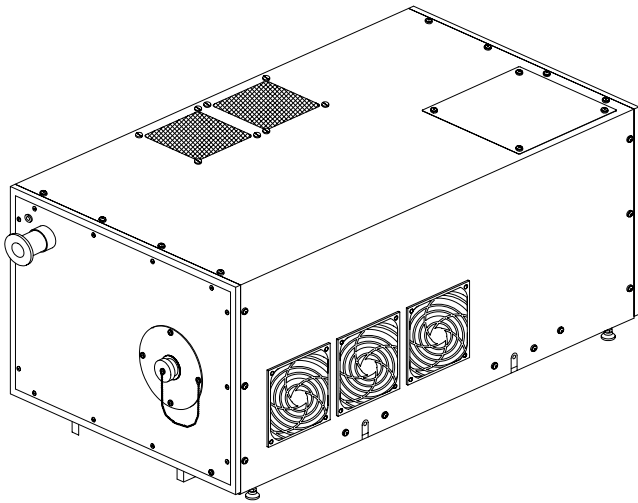
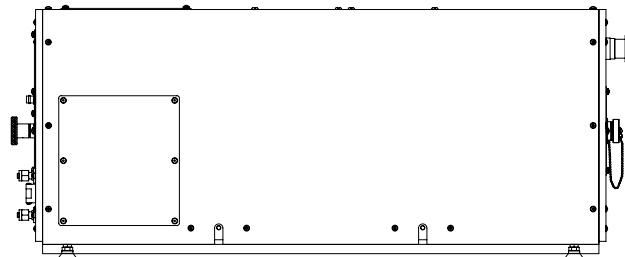


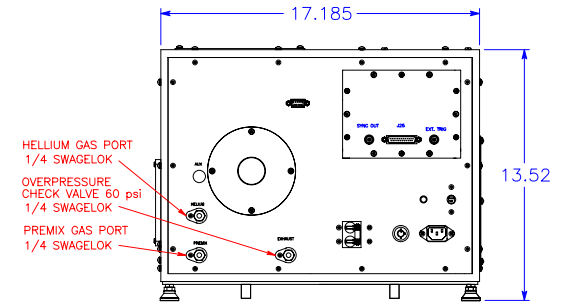
REV.	ECO#	DISCRIPTION	BY	CHK.	APP.	APP.	DATE
SUMMARY OF CHANGES FROM PREVIOUS REVISION:							



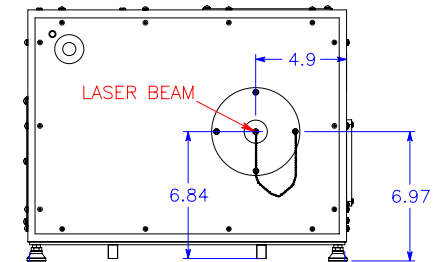
LASER MOUNTING HOLES 1/4-20 THREAD  
2 PLACES 11" BETWEEN CENTERS



LASER MOUNTING HOLES 5/16-18 THREAD  
4 PLACES 20" BETWEEN CENTERS



HELLIUM GAS PORT  
1/4 SWAGELOK  
OVERPRESSURE  
CHECK VALVE 60 psi  
1/4 SWAGELOK  
PREMIX GAS PORT  
1/4 SWAGELOK



LASER BEAM

4.50 8.00 4.50

LASER MOUNTING HOLES  
5/16-18 THREAD  
4 PLACES  
8" BETWEEN CENTERS

GAM LASER INC

ORLANDO, FLORIDA

TITLE:

EX50-VIEW

REV# 4