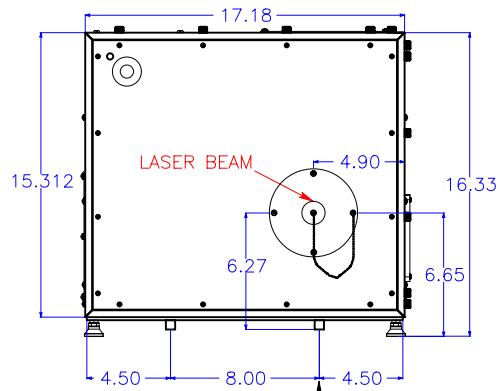
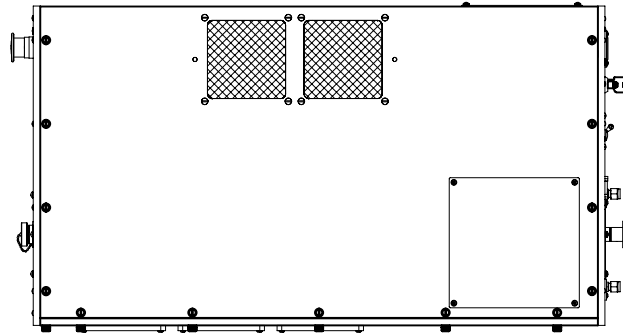
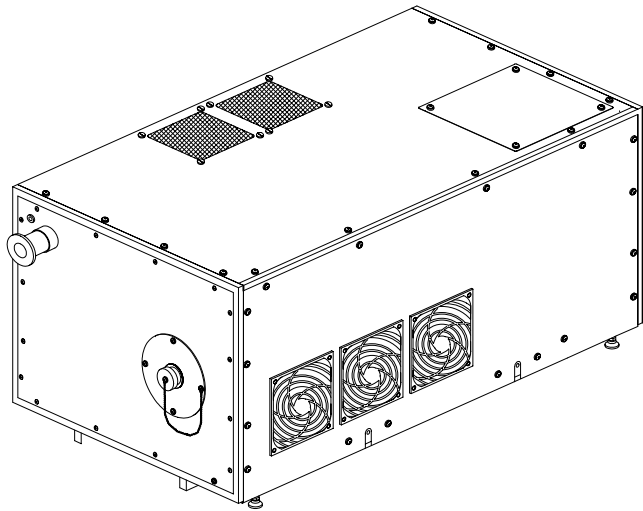
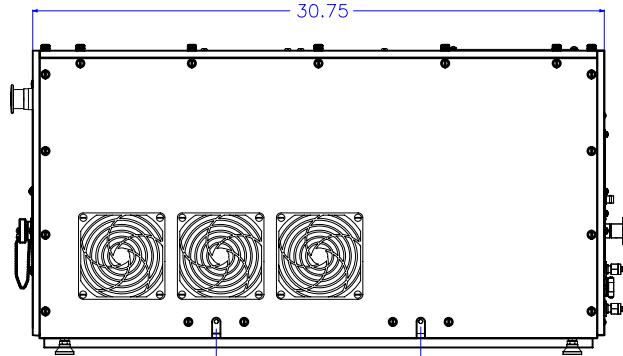


REV.	ECO#	DISCRIPTION	D.G.C. BY	CHK.	APP.	APP.	DATE
							11/05/07
SUMMARY OF CHANGES FROM PREVIOUS REVISION:							



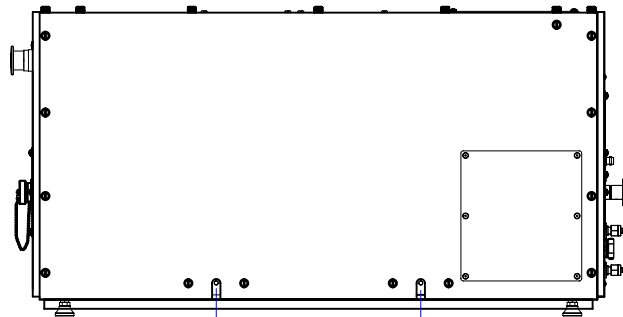
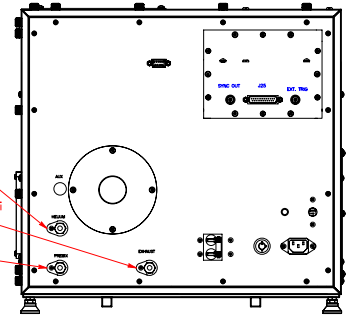
LASER BEAM

LASER MOUNTING HOLES  
5/16-18 THREAD  
4 PLACES  
8" BETWEEN CENTERS



LASER MOUNTING HOLES 1/4-20 THREAD  
2 PLACES 11" BETWEEN CENTERS

HELLIUM GAS PORT  
1/4 SWAGELOK  
OVERPRESSURE  
CHECK VALVE 60 psi  
1/4 SWAGELOK  
PREMIX GAS PORT  
1/4 SWAGELOK



LASER MOUNTING HOLES 1/4-20 THREAD  
2 PLACES 11" BETWEEN CENTERS

GAM LASER INC

ORLANDO, FLORIDA

TITLE:

EX350-VIEW

REV# 1